

KIOSK ACCESSORIES

Kiosk

Voip

Payphone

LCD

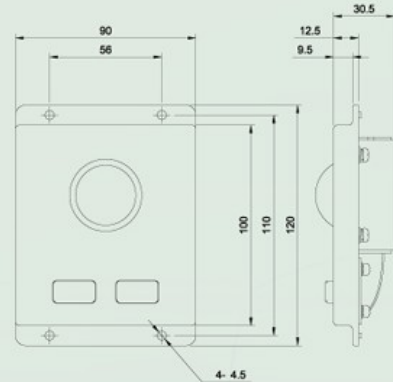
TYK-001

TRACKBALL TYK-005



Features

- Specifically Designed for The Public Environment
- Water and Dust Proof Design
- φ 36mm Phenol Ball (Optional φ 38mm)
- Front Plate : Zinc Alloy With Cr Coating, Froggy Treated Surface
- Connection : PS/2 Interface
- Operating Temperature : 0°C-45°C
- OS: Window 95/98/NT
- Package Dimension : L158 x W122 x H50mm

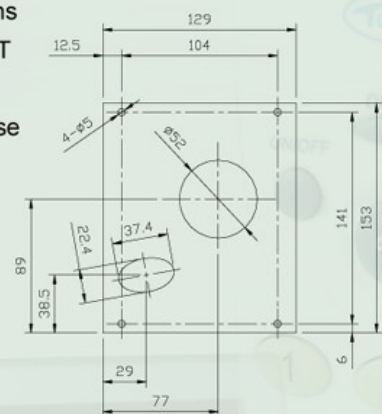


METAL MOUSE TYK-101

TYK-101

Features

- Specifically Designed for The Public Environment
- Water and Dust Proof Design
- Stainless Steel Mouse
- Mounted In a Steel Fascia Coated With Zinc
- Reliability 500,000 Operations
- OS : DOS/Windows95/98/NT
- PS/2 Interface
- Driver : Microsoft PS/2 Mouse Compatible
- Package Dimension : L228 x W212 x H45mm



★ Subject to change without notice
★ Copy right since 2003



東亞通信工業股份有限公司

TONGYA TELECOMMUNICATION INDUSTRY CO., LTD.

台北縣樹林市中正路753號

753, Jung Jeng Rd., Shulin City, Taipei, Taiwan TEL:886-2-2689-3781 FAX:886-2-2689-3846

E-mail: marketing@tongya.com.tw Web site: http://www.tongya.com.tw